



Bendy

Specification Sheet

A flexible structural Ceiba plywood, laminated either cross or long grain. With this ply your desired curved project can be successfully completed. Flexibility is achieved through the open grained texture allowing the veneer layer on the outer curve to expand and the inner curve to compress.

Product Info

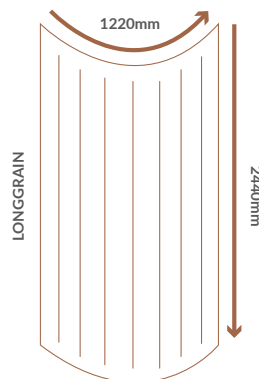
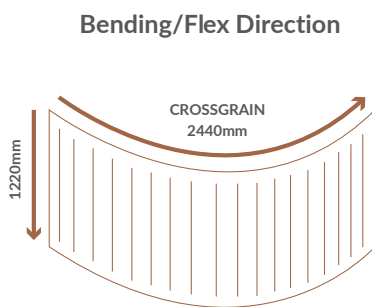
Code	Sheet Size	Thickness	Bend	Weight	Grading
J1086-3B	2440 x 1220	3mm	270mm Radius	4.2 kg	BC Interior/Cross
J1085-B	2440 x 1220	4mm	270mm Radius	4.2 kg	BC Interior/Long
J1086-B	2440 x 1220	4mm	270mm Radius	4.2 kg	BC Interior/Cross
J1090-B	2440 x 1220	6mm	345mm Radius	6.4 kg	BC Interior/Long
J1091-B	2440 x 1220	6mm	345mm Radius	6.4 kg	BC Interior/Cross
J1094-B	2440 x 1220	8mm	375mm Radius	9.7 kg	BC Interior/Cross
J1095-B	2440 x 1220	9mm	375mm Radius	9.7 kg	BC Interior/Long
J1096-B	2440 x 1220	9mm	375mm Radius	9.7 kg	BC Interior/Cross

Technical Specs

Colour	Neutral colour, not for clear finish
Material	Ceiba, A Grade sustainable Forest Management / BV - DDS - 000001 - IN
Formaldehyde	EO JIS Low Formaldehyde
Certification	CE Certified, EN 13986:2004 & EN636
Origin	India

Ideal Uses

- Reception counters
- Auto-Interiors
- Wall linings
- Forming Architectural features



Handling & Application/ Plywood is a natural product that can be affected by changes in weather conditions: moisture and temperature. Increased moisture content or temperature variation may cause internal stresses causing previously flat sheets to bow. At Plymasters, precautions are taken to minimize this effect. However, once the plywood has left our warehouse we cannot guarantee sheets to remain flat unless fastened. This is particularly important where free standing kitchen/cabinet doors are concerned. Stack on a firm raised base with enough support to prevent sagging. Cover the pallet to protect the top and edges.

